



## 0-10V/Dali dimmable Tri-proof LED Lamp FTN-TP-030-AW-06/07



### Description

Tri-proof light is usually used in environment which require water-proof, dust-proof, corrosion-proof lighting, and it is widely used in shopping mall, warehouse and other indoor places. Tri-proof light of high power can be surface mounted or suspended installed, and it can work stably in different environment.

### Features

1. ArcS I series tri-proof lamp with 230° beam angle to replace fluorescent tube;
2. Water-proof, dust-proof, impact-proof design, can be used in harsh environment;
3. Use fire-resistant PC cover, can pass 650° glow wire test;
4. High efficiency, up to 100 lm/W;
5. External power supply, easy to maintain;
6. Anti-glare cover, protect eyes better.
7. Dimmable power supply, and the power supply and lamp are installed separately; excellent thermal management ensure long lifetime.



## Technical Parameters

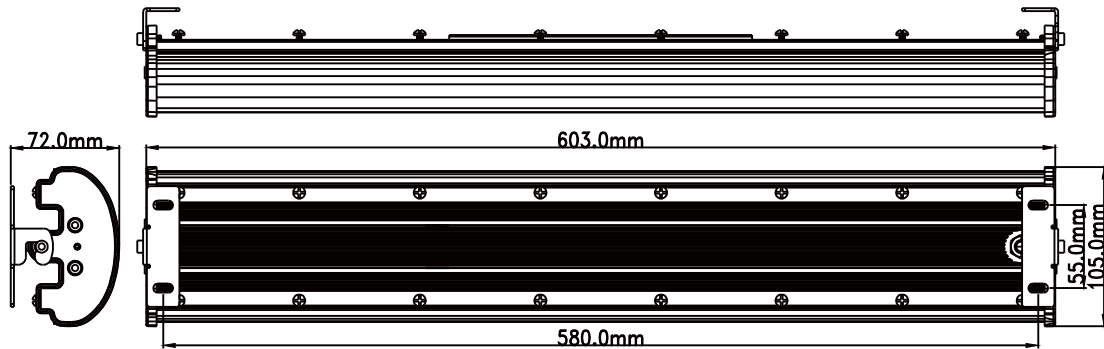
Model	Color	CCT	LED Typ.	LED Qty.	Light Output (lm±10%)	Max. current (A)	Power (W)	Voltage(V) Frequency	Beam angle	CRI	PF
FTN-TP-030-AW-W-06	white	5500-7000K	2835	252pcs	3100	0.4	30	AC 100-265V 50/60Hz	230°	≥80	≥0.9
FTN-TP-030-AW-NW-06	natural white	4000-4500K			2840	0.4	30		230°	≥80	≥0.9
FTN-TP-030-AW-WW-06	warm white	2700-3200K			2660	0.4	30		230°	≥80	≥0.9
FTN-TP-030-AW-W-07	white	5500-7000K	2835	252pcs	3100	0.4	30	AC 100-265V 50/60Hz	230°	≥80	≥0.9
FTN-TP-030-AW-NW-07	natural white	4000-4500K			2840	0.4	30		230°	≥80	≥0.9
FTN-TP-030-AW-WW-07	warm white	2700-3200K			2660	0.4	30		230°	≥80	≥0.9

## Main Applications

Suitable for warehouse, parking lot, shopping mall, farm, factory, cold storage, subway, underground passage, etc.

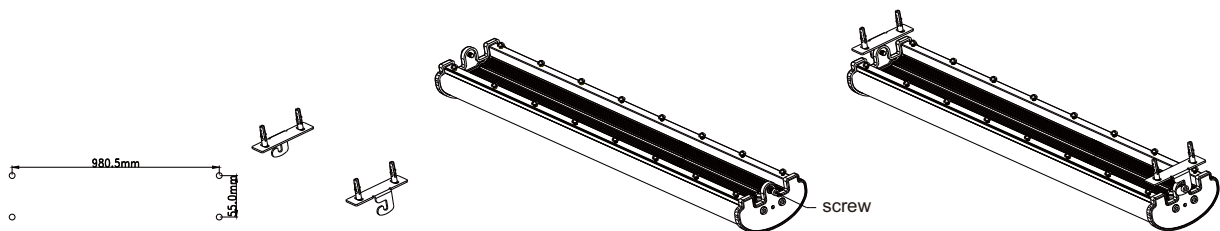


## Dimension(Unit:mm)



## Instalaltion diagram

### Installation Method 1 (standard)



1. Drill 4 holes of 6.5mm diameter;

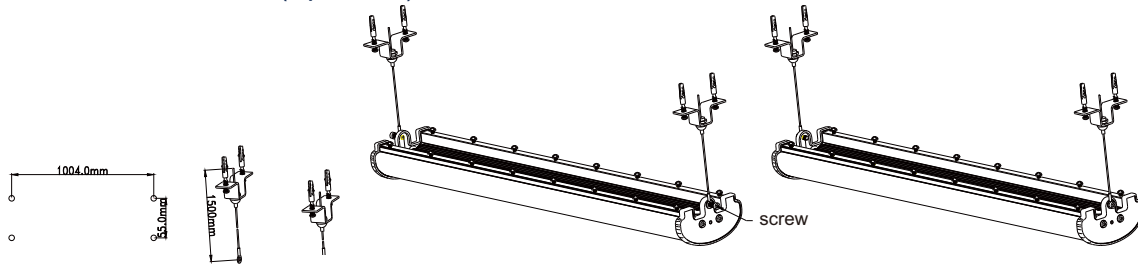
2. Install the bracket on the wall, and make sure the direction should is the same;

3. Turning the screw but not tightly, leave 3-4mm space;

4. Install the light and tighten the screw.



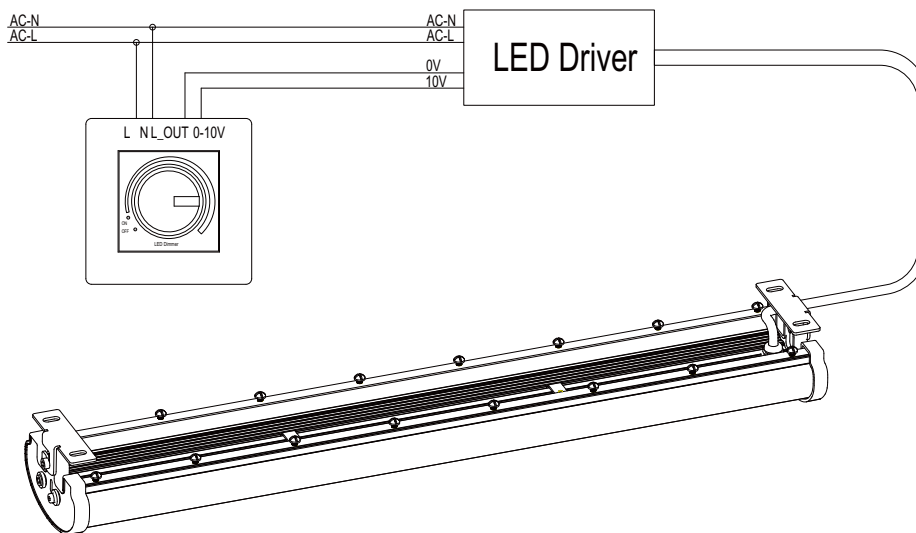
### Installation Method 2 (optional)



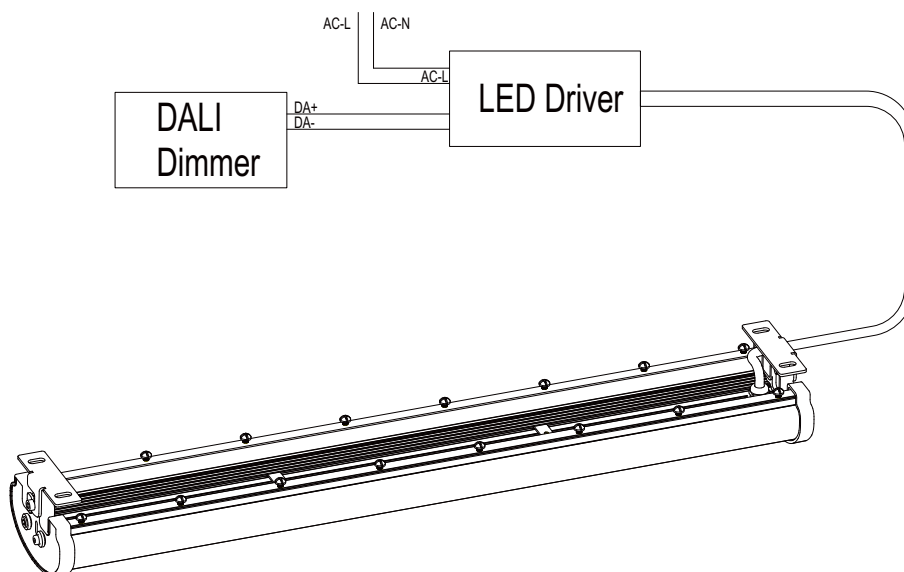
1. Drill 4 holes of 6.5 mm diameter;
2. Install the bracket on the wall;
3. Cross the screws through hanging ring to fasten both sides of the light;
4. Adjust the height of both sides wire.

### Wiring Diagram

Wiring Diagram of 0-10V Tri-proof Lamp(FTN-TP-030-AW-W-06)



Wiring Diagram of DALI Dimming Tri-proof Lamp(FTN-TP-030-AW-W-07)





## Package information

Lamp: net weight 1.2KG gross weight 1.3KG

Power supply: net weight 0.32KG gross weight 0.32KG

## Installation requirement

1. Prepare various components and accessories of lamp;
2. Power off before installation;
3. Ensure the product is fixed on the surface of installed material;
4. Connect the lamp wire to power wire, and power on;
5. Connect dimmer if necessary; deal with dimming signal wire with waterproof processing.

## Notices

1. Please first read the product specification carefully, make sure the using environment conform to specification, then it can be used;
2. Please confirm applicable power supply before use;
3. Power off before connected to power supply to prevent electric shock;
4. Unprofessional operation may damage the products, even harm to body;
5. Preliminarily estimate the quantity of 3P lamp; calculate the total power, and design distribution program;
6. Dangerous high voltage, non-professionals are not allowed to maintain the product;
7. If external soft cable or soft wire of the light is damaged, it should be replaced by manufacture or service agent or personnel with similar qualification to avoid danger.
8. Power off before installation, seal the joint of power wire.