

SII Series Flood Light

FL-010/20/30-AW-S2-01

FL-050/70/100-AW-S2-01



Description:

Flood light series light up the future of industry energy-saving lighting in world. This light save energy at least 50% compared to high intensity discharge lamp, and it also reduce maintenance cost and carbon emission. The flood light is combined with LED cutting-edge technology and unique optical design to reach lighting effect equal to other traditional lighting source.

Features:

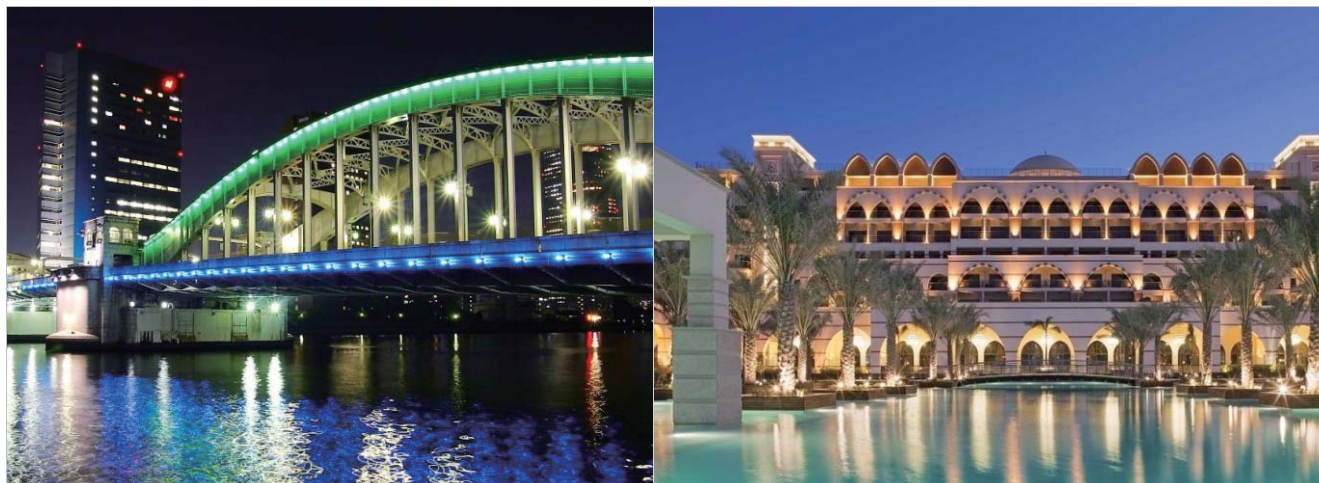
1. Adopt waterproof design, no adhesive to cause leakage of aging, easy to disassemble;
2. Die-casting aluminum alloy lamp body, high toughened glass cover; solid and durable; corrosion-proof;
3. High efficiency thermal management, LEDs and power supply work in low temperature, and high stability of continuous operating.
4. Can on-off frequently, no flicker and glare; high CRI; Compact appearance, novel design, easy to install and transport.
5. Compact appearance, novel design, convenient to install and transport .

Technical parameters:

Model	CCT	Color	Lumen(lm) (±10%)	LED Type /qty.	Power(w) (±10%)	Voltage, Frequency	Beam (angle°)	CRI	PF	IP
FL-010-AW-W-S2-01	5500-6500K	White	860	COB 1pcs	10	AC100-240V 50/60Hz	120°	> 70	≥0.9	IP65
FL-010-AW-NW-S2-01	4000-4500K	Neutral White	830							
FL-010-AW-WW-S2-01	2700-3200K	Warm White	800							
FL-020-AW-W-S2-01	5500-6500K	White	1850	COB 1pcs	20	AC100-240V 50/60Hz	120°	> 70	≥0.9	IP65
FL-020-AW-NW-S2-01	4000-4500K	Neutral White	1840							
FL-020-AW-WW-S2-01	2700-3200K	Warm White	1800							
FL-030-AW-W-S2-01	5500-6500K	White	2780	COB 1pcs	30	AC100-240V 50/60Hz	120°	> 70	≥0.9	IP65
FL-030-AW-NW-S2-01	4000-4500K	Neutral White	2740							
FL-030-AW-WW-S2-01	2700-3200K	Warm White	2710							
FL-050-AW-W-S2-01	5500-6500K	White	4650	COB 1pcs	50	AC100-240V 50/60Hz	120°	> 70	≥0.9	IP65
FL-050-AW-NW-S2-01	4000-4500K	Neutral White	4620							
FL-050-AW-WW-S2-01	2700-3200K	Warm White	4550							
FL-070-AW-W-S2-01	5500-6500K	White	6790	COB 1pcs	70	AC100-240V 50/60Hz	120°	> 70	≥0.9	IP65
FL-070-AW-NW-S2-01	4000-4500K	Neutral White	6762							
FL-070-AW-WW-S2-01	2700-3200K	Warm White	6660							
FL-100-AW-W-S2-01	5500-6500K	White	9640	COB 2pcs	100	AC100-240V 50/60Hz	120°	> 70	≥0.9	IP65
FL-100-AW-NW-S2-01	4000-4500K	Neutral White	9580							
FL-100-AW-WW-S2-01	2700-3200K	Warm White	9500							

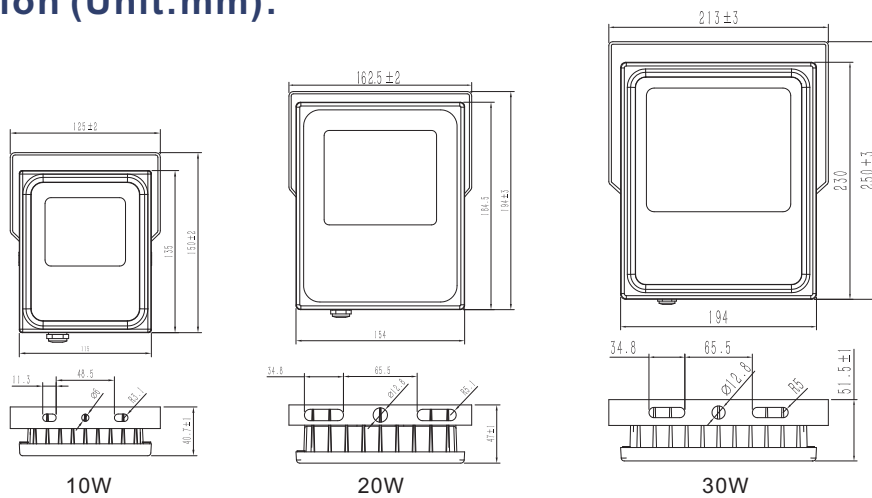
Application:

Mainly applied in outdoor flood lighting, building decoration, industry, sports center, outdoor stadium, port, parking lot, and road if there is street light distribution system.





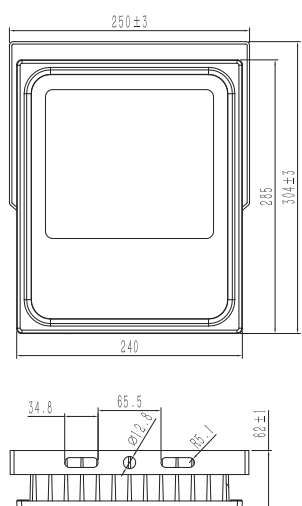
Dimension (Unit:mm):



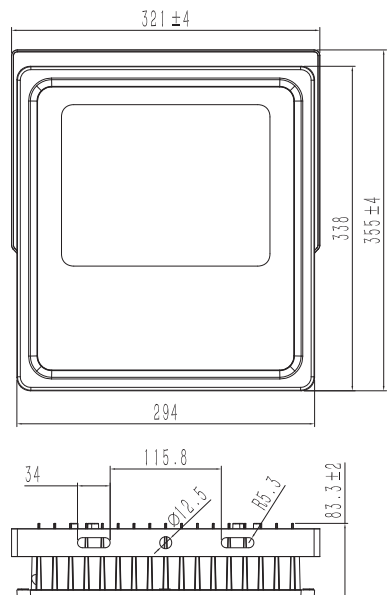
10W

20W

30W

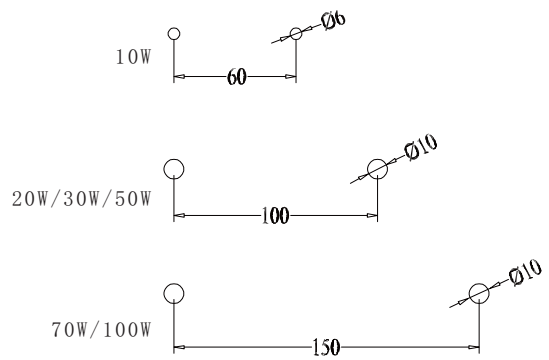


50W



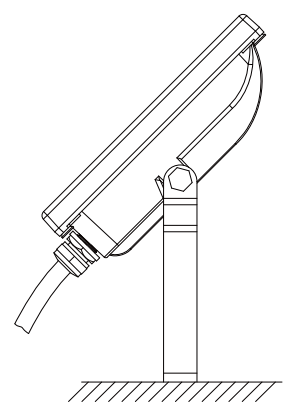
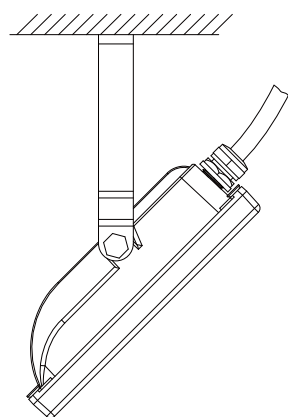
70W/100W

Installation:

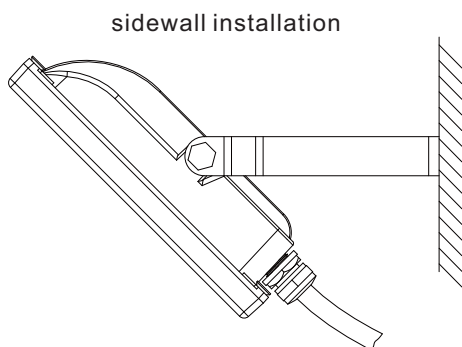


ceiling installation

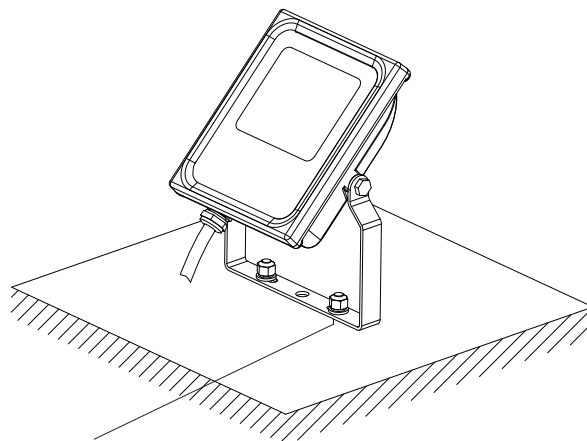
Pedestal installation



Step 1: Drill holes on installation surface to install M6/M8/M10/M12 bolt



Step2: Install lamp on expansion bolts



Step3: Install flat gasket, spring washer and nut to fasten bracket and expansion bolts

Installation requirement:

1. Please prepare two sets of bolts to install the light;
2. Power off before installation;
3. Make sure the installed surface can endure the weight of light, and fix the light on the installed surface securely (according to installation diagram);
4. Connect light wire to power wire, seal the joint with insulation.

Packing information :

Power	Net weight	Gross weight	Packing box dimension	Outer carton dimension	Total weight
10W	0.5kg	0.7kg	137*62*195mm	565*405*205mm (24 pcs/carton)	18.5kg
20W	0.8kg	1.0kg	173*70*218mm	535*453*230mm (18 pcs/carton)	20.0kg
30W	1.3kg	1.5kg	219*78*258mm	533*455*255mm (12 pcs/carton)	20.0kg
50W	2.2kg	2.4kg	257*87*314mm	540*275*335mm (6 pcs/carton)	16.5kg
70W	3.9kg	4.2kg	340*120*420mm	500*440*360mm (4 pcs/carton)	19.0kg
100W	4.2kg	4.5kg	340*120*420mm	500*440*360mm (4 pcs/carton)	20.0kg



! Notice :

1. Please first read the product specification carefully to make sure the using environment conform to specification, then it can be used;
2. Please confirm input voltage, frequency before use;
3. This product must be installed by professionals;
4. If there is any damage to the power wire or shell of the product, it should be taken as defective product and do not use it;
5. Dangerous high voltage, non-professionals are not allowed to maintain the product;
6. If external soft cable or soft wire of the light is damaged, it should be replaced by manufacturer or service agent or personnel with similar qualification to avoid danger.
7. Length of outlet wire is 0.5m.