



# 6012 LED Panel Light



## Description

LED Square Panel Light . Using Light Guide Plate, it has the feature of uniform and smooth light beam, low glare, low light pollution, and excellent protection from eyestrain. It can be widely used as interior lighting in shops, supermarkets, malls and hospitals, etc

## Features

### 1. Visual uniformity

- The edge-lit LED panels blend with various ceiling details and produce soft natural light

### 2. Low glare lighting

- The edge mounted LEDs give even glare free special illumination. It produces a comfortable lighting environment.

### 3. LED efficiency

- High lumen LED efficacy paired with high power factor drivers reduce operating cost.

### 4. Luminaire construction

- A powder coat painted extruded aluminum frame encompasses the perimeter of multi-layered acrylic panel system.

### 5. Cost and energy saving

- 50% more energy saving effect than fluorescent tubes.
- Low heat generation, extra energy saving effect through reduction of HVAC load.
- Easy installation: only 3 steps in 2 minutes, labor cost saving
- Around 9mm lamp body with very light weight, space and transportation cost saving

### 6. Long life time

- More than 50,000 hours life time and 3 years warranty.



## Specifications

Model	CCT	Color	LED Type	Lumen(lm) (±10%)	CRI	Beam angle	Power(W) (±10%)	Voltage (V)	Weight (Kg)	Current (A)	PF
SC-PSC24CE6012-F55W	5000K	cool white		3574lm	>80	110°					
SC-PSC24NE6012-F55W	4000K	natural white	2835	3855lm	>80	110°	55W	AC220-240V 50Hz	7.5	0.5	>0.95
SC-PSC24WE6012-F55W	3000K	warm white		3161lm	>80	110°					

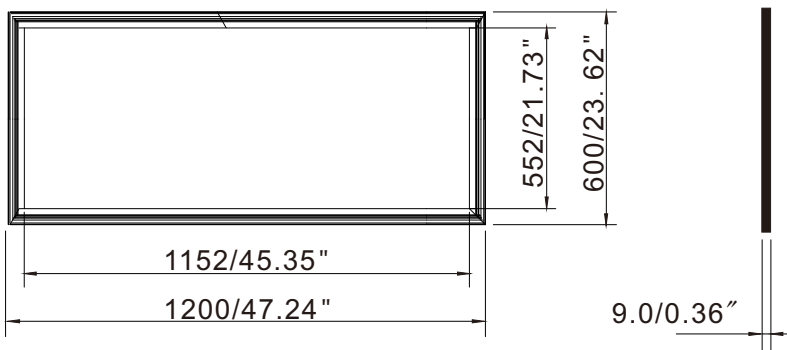
## Applications

F Series Square Panel Light can be used in hotels, meeting rooms, factories, offices, commercial purposes, residential, institution buildings, schools, hospitals, places which needs energy saving and high color rendering index lighting.



## Dimensions (Unit: mm/inch)

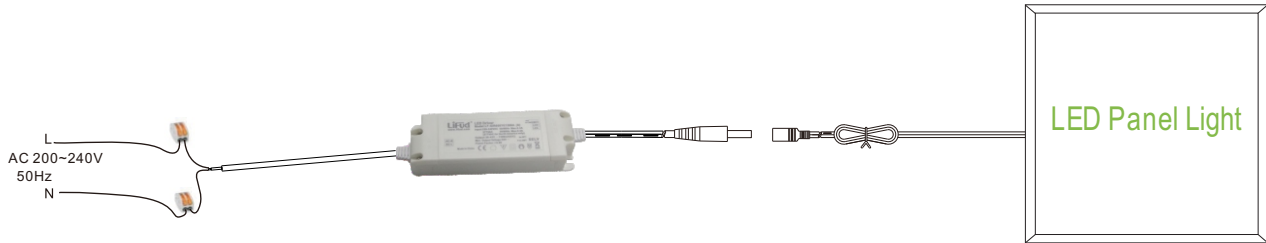
600\*1200mm



All dimension tolerance is  $\pm 0.5$ mm unless otherwise noted.

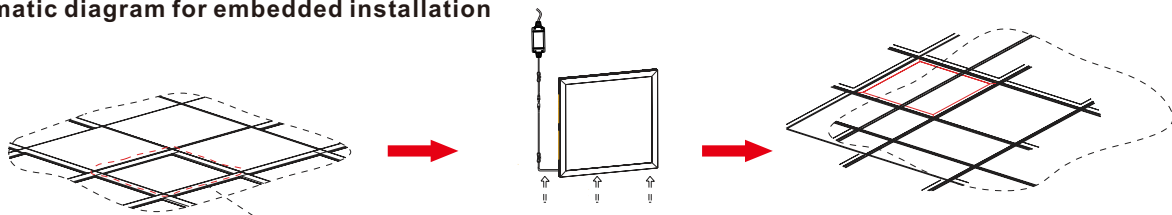


## Electrical Connection



## Installation Drawing

### Schematic diagram for embedded installation

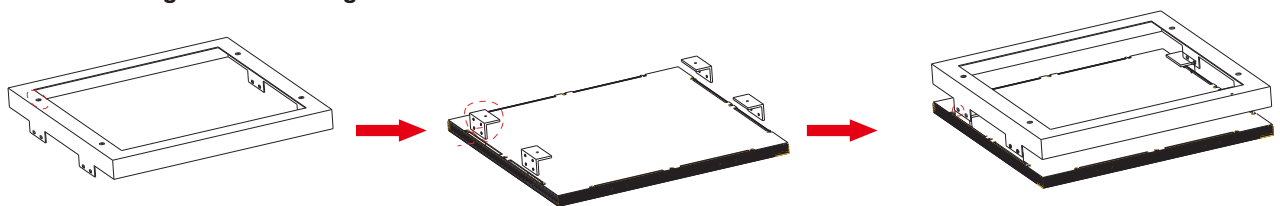


1. move away ceiling plaster slab, then arrange the wire.

2. put through the panel light along ceiling's diagonal and then wiring.

3. fix the panel light to suitable place

### Schematic diagram for ceiling installation

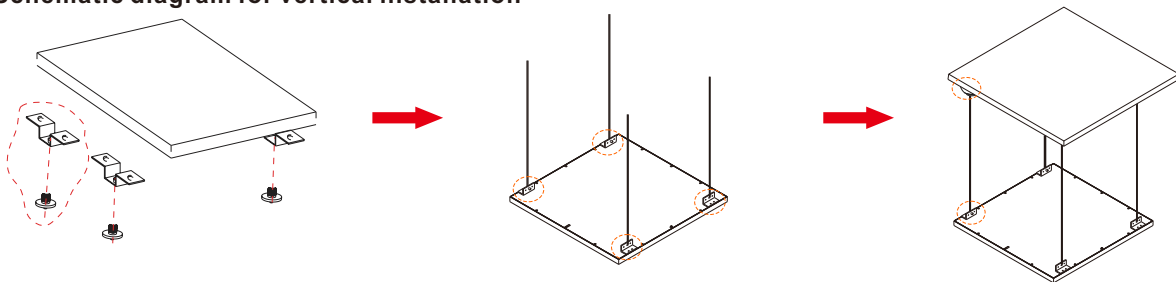


1. fix the upper frame

2. install connection fittings

3. laterally connect panel light to upper frame by screws

### Schematic diagram for vertical installation



1. install the hanging fixed block in order.

2. set up hanging fittings stainless steel rope

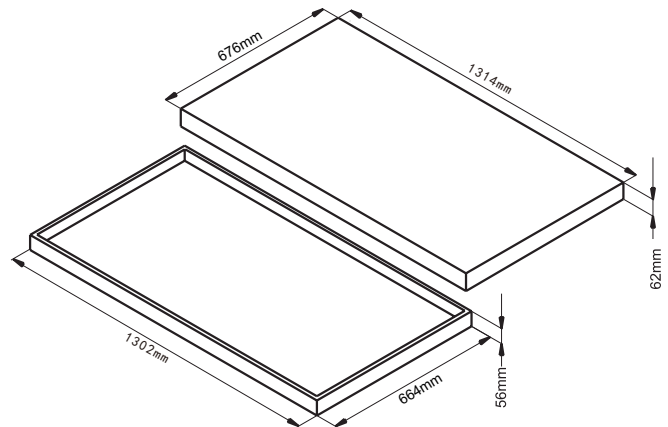
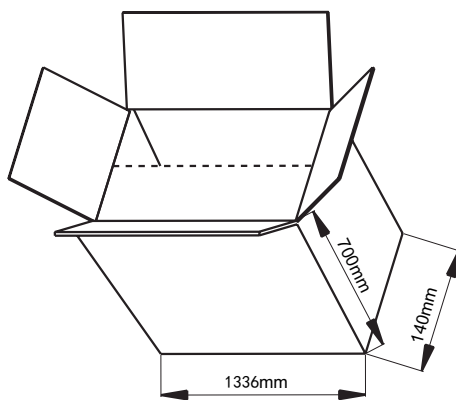
3. fix the rope on suitable height by using lifter.



## Product packaging information:

1. Net weight: 7.5kg
2. Gross weight/Carton: 20.7 kg
3. Packing size: 1336X140X700mm
4. 2pcs per inner box /carton.

All dimension units are millimeter.



## ! Notice

1. Please read the specification first, to make sure the service environment matches the condition in the specification before using.
2. Please confirm the applicable power supply before using.
3. Make sure the switch of product is off before connect to the power supply to prevent electric shock.
4. Operation against rules may damage your property even harm to your personal safety.
5. Preliminarily estimate required quantity of LED panel lights, then according to the power rating of single panel light to figure out the total power and design power supply plan.
6. Dangerous high voltage, Non-professionals are not allowed to maintain the products.
7. If the exterior flexible cable or wire is damaged, it must exchange by the supplier, its agent or other similar qualified personnels to avoid dangers.